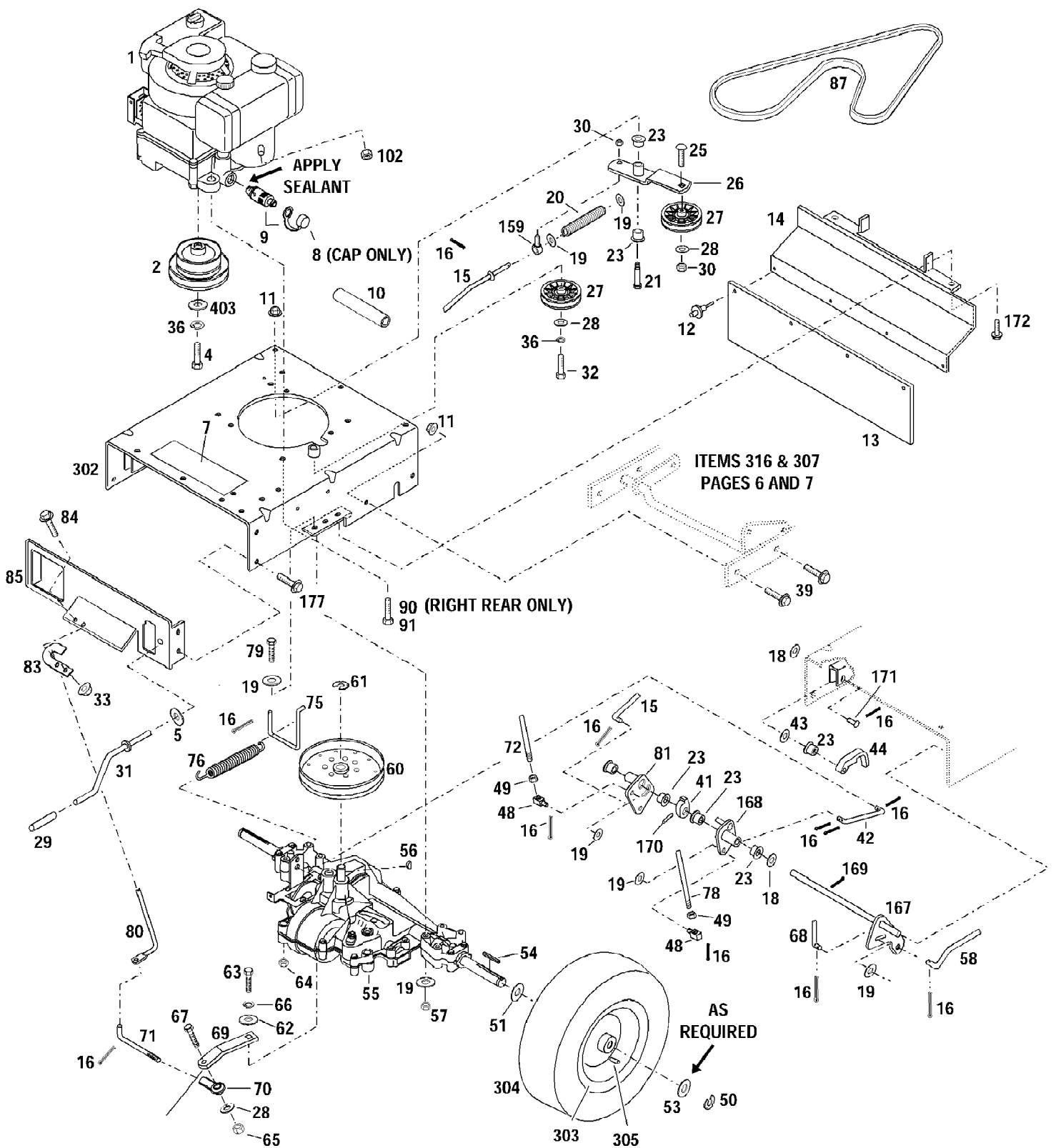


34356 8HP STD 33" Cut (S/N 343561100101-343561199999)  
Drive Assembly



34356 8HP STD 33" Cut (S/N 343561100101-343561199999)  
Drive Assembly

Page 2 of 15

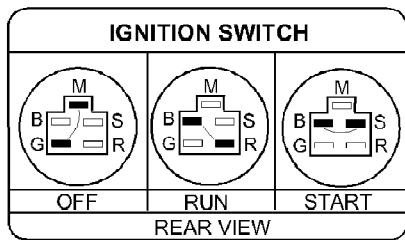
Ref #	Part Number	Qty	S/P/F	Description
1		1		Engine, 8 HP, Recoil Start Order parts from your local authorized Engine Service Dealer. Refer to engine for model / type number.
2	1769904	1	/P	Engine Pulley
4	1915933	1	S	Bolt, 3/8-24 x 1-3/4 GR 8
5	1773599	1	/P	Washer, Nylon
7	1770379	1		Warning Decal
8	1766326	1		Oil Valve Cap
9	1768865	1	S	Oil Valve (Incl. Ref. 8)
10	1769006	1	S	Oil Drain Hose
11	1186393	5	/P	Flange Locknut, 3/8-16
12	1727379	4	/P	Pop Rivet, 3/16
13	1769870	1	/P	Flap
14	1769869001	1	/P	Flap Bracket
15	1769885	1	/P	Lower Transmission Rod
16	1185147	8	S	Cotter Pin, 3/32 x 5/8
18	1890234	1	S	Flat Washer, 1/2
19	1107382	5	/P	Flat Washer, 5/16
20	1711864	1	/P	Compression Spring
21	1763219	1	/P	Shoulder Bolt
23	1715538	2	/P	Nyliner, 1/2
25	1748393	1		Carriage Bolt, 3/8-16 x 1-3/4
26	1764920	1	S	Idler Arm
27	1756151	2	/P	Idler Pulley
28	1107383	3	S	Flat Washer, 3/8
29	1715685	1	/P	Plastic Grip
30	1733398	1	S	Top Locknut, 3/8-16
31	1915831	1	/P	Lift Crank Assembly
32	1100086	1	S	Bolt, 3/8-16 x 1-3/4
33	1186389	4	/P	Flange Locknut, 1/4-20
36	1100243	2	S	Lock Washer, 3/8
39	1186347	4	S	Flange Lock Screw, 3/8-16 x 1
41	1769881	1	/P	Interlock Cam
42	1769877	1	/P	Lower Brake Rod
43	1702646	3	/P	Washer, Flat 1/2
44	1770361	1	/P	Interlock Latch
48	1725264	2	/P	Swivel Block
49	1186258	2	S	Jam Nut, 5/16-18
50	1185388	2	S	Retaining Ring
51	1708012	4	S	Flat Washer
53	1701447	A/R	/P	Special Washer
54	1769781	2	S	Square Key, 3/16 x 2-1/2
55		1		Transmission Assembly, Model 915-029 (See "Peerless Transaxle" illustration and parts list for breakdown.); Order parts from your local Peerless - Tecumseh dealer.
56	1104436	1	S	Woodruff Key, 3/16 x 3/4
57	1732499	4	/P	Top Locknut, 5/16-18
58	1770247	1	S	Lower Blade Rod
60	1770326	1	/P	Transaxle Pulley
61	1118808	1	/P	Retaining Ring
62	1107381	3	S	Flat Washer, 1/4

34356 8HP STD 33" Cut (S/N 343561100101-343561199999)  
Drive Assembly

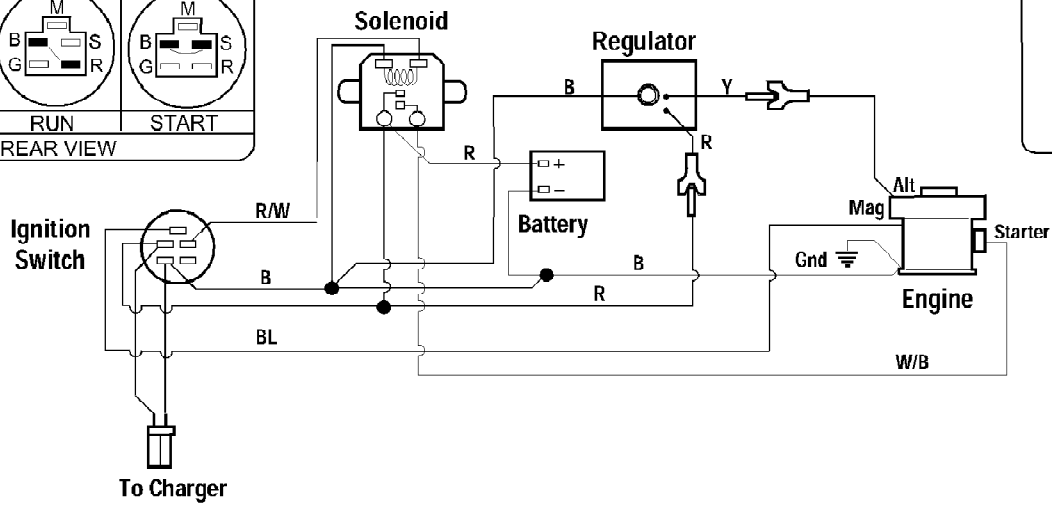
Page 3 of 15

Ref #	Part Number	Qty	S/P/F	Description
63	1100002	1	S	Screw, 1/4-28 x 3/4
64	1186391	1	S	Flange Locknut, 5/16-18
65	1110108	2	S	Locknut, 3/8-16
66	1100241	1	S	Lock Washer, 1/4
67	1100043	1	S	Screw, 3/8 x 1-1/4
68	1769888	1	/P	Upper Blade Rod
69	1768140	1	S	Transmission Arm
70	1767837	1	/P	Ball Joint
71	1768628	1	/P	Shift Link Rod
72	1769873	1	/P	Upper Transmission Rod
75	1768624	1	/P	Spring Attachment Rod
76	1768636	1	/P	Extension Spring
78	1769872	1	/P	Upper Brake Rod
79	1111609	2	S	Screw, 5/16-18 x 2-3/4
80	1769874	1	/P	Shift Rod
81	1769875	1		Clutch Arm Pivot
83	1768630001	1	/P	Shift Rod Bracket
84	1186308	2	S	Flange Lock Screw, 1/4-20 x 1/2
85	1769852001	1	/P	Backplate
87	1770334	1	/P	V-Belt
90	1768194	1	S	Thread Forming Screw, 3/8-16 x 1-1/2
91	1762042	3		Thread Forming Screw, 3/8-16 x 1
102	1186229	1	S	Hex Nut, 1/4-20
159	1769038	2		Eye Bolt
167	1769882	1	/P	Pivot Shaft Assembly
169	1100350	3	S	Cotter Pin
168	1769878	1		Brake Arm
170	1187961	1	/P	Drive Pin, 5/32 x 1
171	1730851	1	/P	Clevis Pin, 1/2 x 1-1/4
172	1724491	2	S	Screw, 5/16-18 x 3/4
177	1740496	2	S	Flange Screw, 5/16-18 x 3/4
302	1916916	1	S	Frame Weldment Ass'y (Incl. Ref. 7)
303	1768180	2	/P	Wheel Rim
304	1774129	2	S	Tire
305	1718086	2	S	Valve Stem
400	97092	1	S	Loctite 242, 0.02 oz. Tube Item not included with unit; order separately.
403	1768818	2	S	Flat Washer, 3/8

34356 8HP STD 33" Cut (S/N 343561100101-343561199999)  
 Electric Diagram

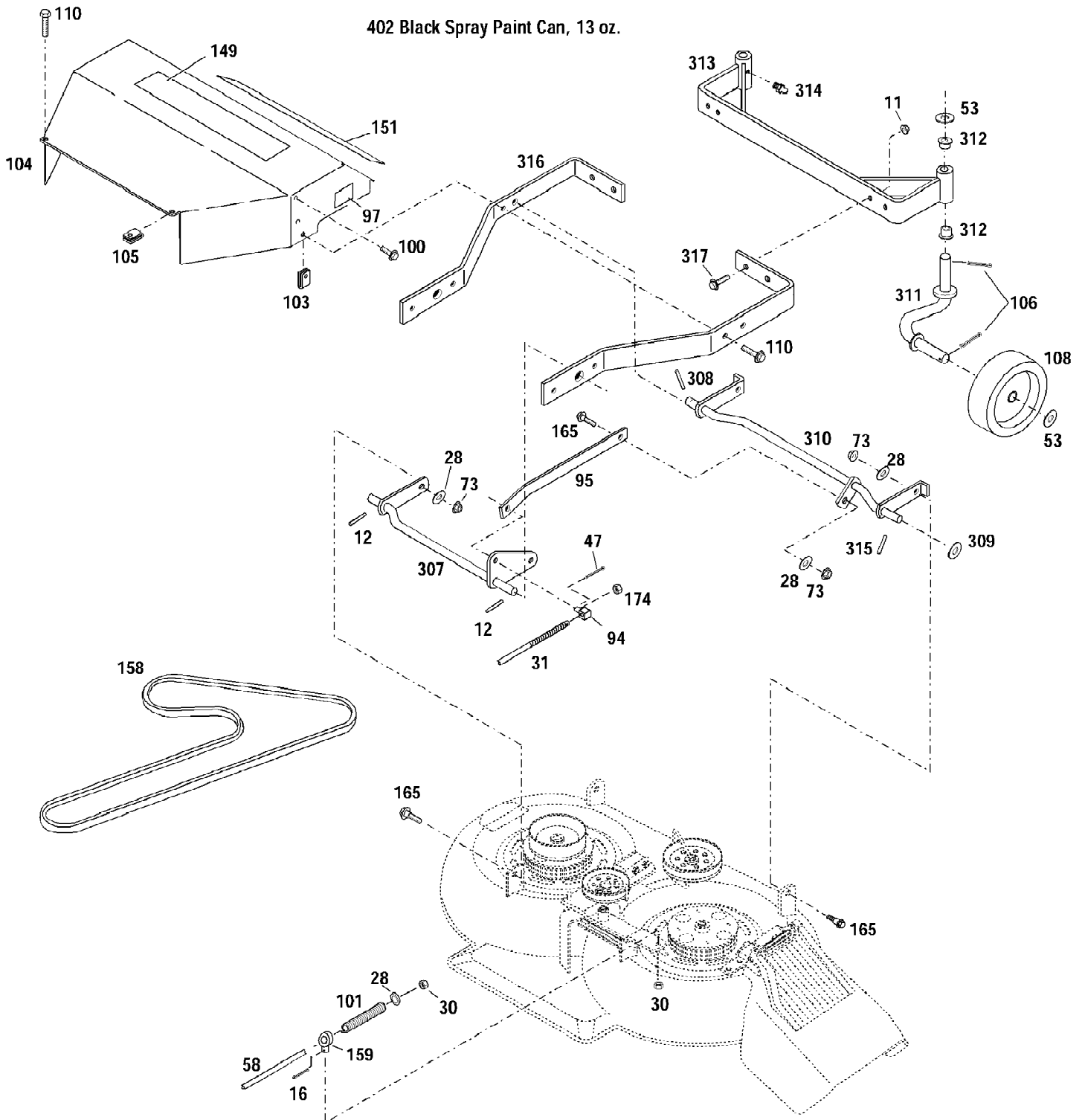


WIRE COLOR CODE	
B	Black
BL	Blue
R	Red
W	White
Y	Yellow
R/W	Red/White
W/B	White/Black



34356 8HP STD 33" Cut (S/N 343561100101-343561199999)  
Front Frame Assembly

402 Black Spray Paint Can, 13 oz.

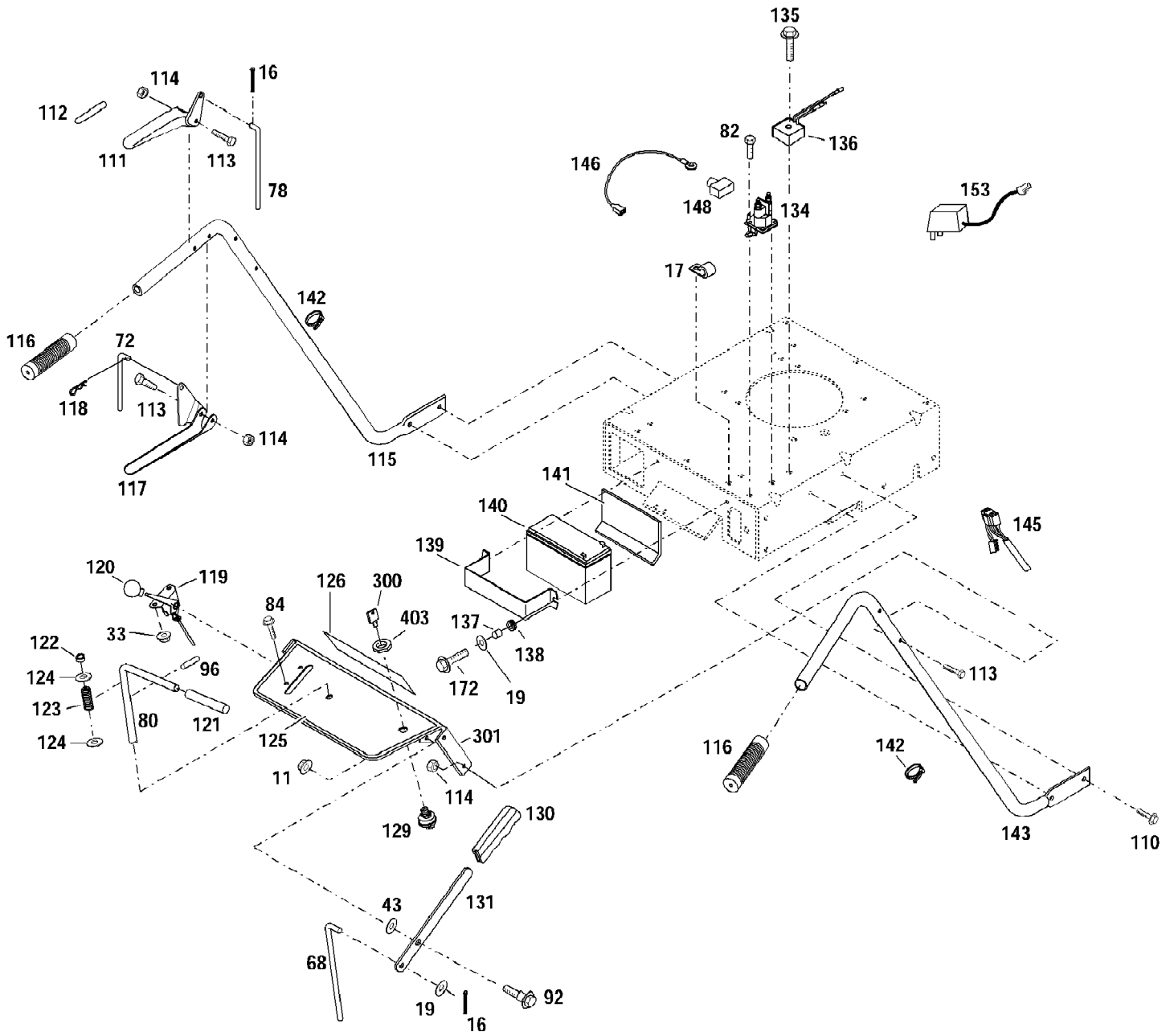


34356 8HP STD 33" Cut (S/N 343561100101-343561199999)  
Front Frame Assembly

Page 6 of 15

Ref #	Part Number	Qty	S/P/F	Description
11	1186393	9	/P	Flange Locknut, 3/8-16
12	1180350	2		Cotter Pin, 1/8 x 1
16	1185147	2	S	Cotter Pin, 3/32 x 5/8
28	1107383	6	S	Flat Washer, 3/8
30	1733398	2	S	Locknut, 3/8-16
31	1769895	1	S	Lift Crank
47	1100349	1	S	Cotter Pin
53	1701447	4	/P	Special Washer
58	1770247	1	S	Lower Blade Rod
73	1185506	5	S	Flange Locknut, 3/8-16
94	1768231	1	/P	Pivot Block
95	1769521001	1	/P	Leveler Bar
97	1769889	1	S	Cutting Height Decal
100	1769344	8	S	Tap Screw, #8 x 3/8
101	1769007	1	/P	Compression Spring
103	1185498	2	S	Speed Nut, 5/16-18
104	1764996001	1	S	Belt Guard
105	1185873	2	S	Speed Nut, 5/16-18
106	1100352	4	/P	Cotter Pin
108	1743891	2	S	Gage Wheel
110	1186329	2	S	Flange Lock Screw, 5/16 x 3/4
149	1916351	1		Logo Decal
151	1916850	1	S	33" Combination Deck Decal
158	1769767	1	/P	V-Belt
159	1769038	1		Eye Bolt
165	1754125	5	/P	Shoulder Bolt
174	1770355	1	S	Toplock Nut
307	1769903001	1	/P	Rear Lift Assembly
308	1185469	1	S	Roll Pin, 1/4 x 1
309	1107386	1	S	Flat Washer, 5/8
310	1770248001	1	/P	Front Lift Assembly
311	1768477001	2	/P	Spindle Assembly
312	1764140	4	/P	Flange Bearing
313	1769743001	1	S	Gage Support
314	1185976	2	S	Grease Fitting
315	1185759	1	/P	Drive Pin, 1/4 x 3
316	1769899001	2	S	Mower Support
317	1186347	4	S	Whizlock Screw, 3/8-16 x 1
402	1735222	1	/P	Black Spray Paint Can, 13 Oz. Item not included with unit; order separately.

34356 8HP STD 33" Cut (S/N 343561100101-343561199999)  
Handlebar And Console Assembly



34356 8HP STD 33" Cut (S/N 343561100101-343561199999)  
Handlebar And Console Assembly

Page 8 of 15

Ref #	Part Number	Qty	S/P/F	Description
11	1186393	1	/P	Flange Locknut, 3/8-16
16	1185147	2	S	Cotter Pin, 3/32 x 5/8
17	1721252	1		J-Clip Electric Start Model (if so equipped)
19	1107382	2	/P	Flat Washer, 5/16
33	1186389	2	/P	Flange Locknut, 1/4-20
43	1702646	1	/P	Flat Washer, 1/2
68	1769888	1	/P	Upper Blade Rod
72	1773607	1	/P	Upper Transmission Rod
78	1769872	1	/P	Upper Brake Rod
80	1769874	1	/P	Shift Rod
82	1724492	2		Thread Cut. Screw, 1/4-20 x 1/2 Electric Start Model (if so equipped)
84	1186308	2	S	Flange Lock Screw, 1/4-20 x 1/2
92	1703051	1	/P	Shoulder Bolt
96	1185279	1	/P	Roll Pin, 1/4 x 2-1/4
110	1186329	4	S	Flange Lock Screw, 5/16 x 3/4
111	1770445001	1	/P	Control Handle
112	1768452	1		Operator Presence Control Decal
113	1915793	6	S	Screw, 1/4-20 x 1-3/4, Grade 8
114	1734398	2	S	Locknut, 1/4-20
115	1764922001	1	/P	Left Handlebar
116	1703539	2	S	Handle Grip
117	1773605001	1	/P	Control Handle
118	1717897	1	/P	Hair Pin, 5/64
119	1768191	1	S	Throttle Control
120	1737118	1	S	Knob
121	1737041	1	/P	Handle Grip
122	1715716	1	/P	Nylon Bushing
123	1721492	1	/P	Compression Spring
124	1107385	1	S	Flat Washer, 1/2
125	1768633	1		Warning Decal
126	1916849	1		Logo Decal
129	1734196	1	S	Ignition Switch Electric Start Model (if so equipped)
130	1764984	1	S	Handle Grip
131	1768223	1	/P	Mower Engage Lever
134	1752137	1	S	Solenoid Electric Start Model (if so equipped)
135	1747027	1		Thread-Cut. Screw, 1/4-20 x 1-1/2 Electric Start Model (if so equipped)
136	1768464	1	S	Regulator Electric Start Model (if so equipped)
137	1749778	2		Spacer Electric Start Model (if so equipped)
138	1769080	2	/P	Grommet Electric Start Model (if so equipped)
139	1915696010	1		Battery Bracket Electric Start Model (if so equipped)
140	1915750	1	S	Battery Electric Start Model (if so equipped)
141	1769081	1		Battery Pad Electric Start Model (if so equipped)
142	1735531	5	S	Plastic Tie



34356 8HP STD 33" Cut (S/N 343561100101-343561199999)  
Handlebar And Console Assembly

Page 9 of 15

Ref #	Part Number	Qty	S/P/F	Description
143	1764923001	1	/P	Right Handlebar
145	1915758	1	/P	Wiring Harness Electric Start Model (if so equipped)
146	1915759	1	/P	Lead Electric Start Model (if so equipped)
148	1734364	1		Boot Electric Start Model (if so equipped)
153	1768449	1	/P	Battery Charger (shipped loose) Electric Start Model (if so equipped)
172	1724491	1	S	Screw, 5/16-18 x 3/4
300	1753986	1	/P	Ignition Key Electric Start Model (if so equipped)
301	1916915	1		Console Assembly (Incl. Ref. 125)
		1		Console Assembly (Incl. Ref. 125); Electric Start Model (if so equipped)
403	1770592	1		Nut, Ignition Switch Electric Start Model (if so equipped)



34356 8HP STD 33" Cut (S/N 343561100101-343561199999)  
Mower Deck Assembly

Page 11 of 15

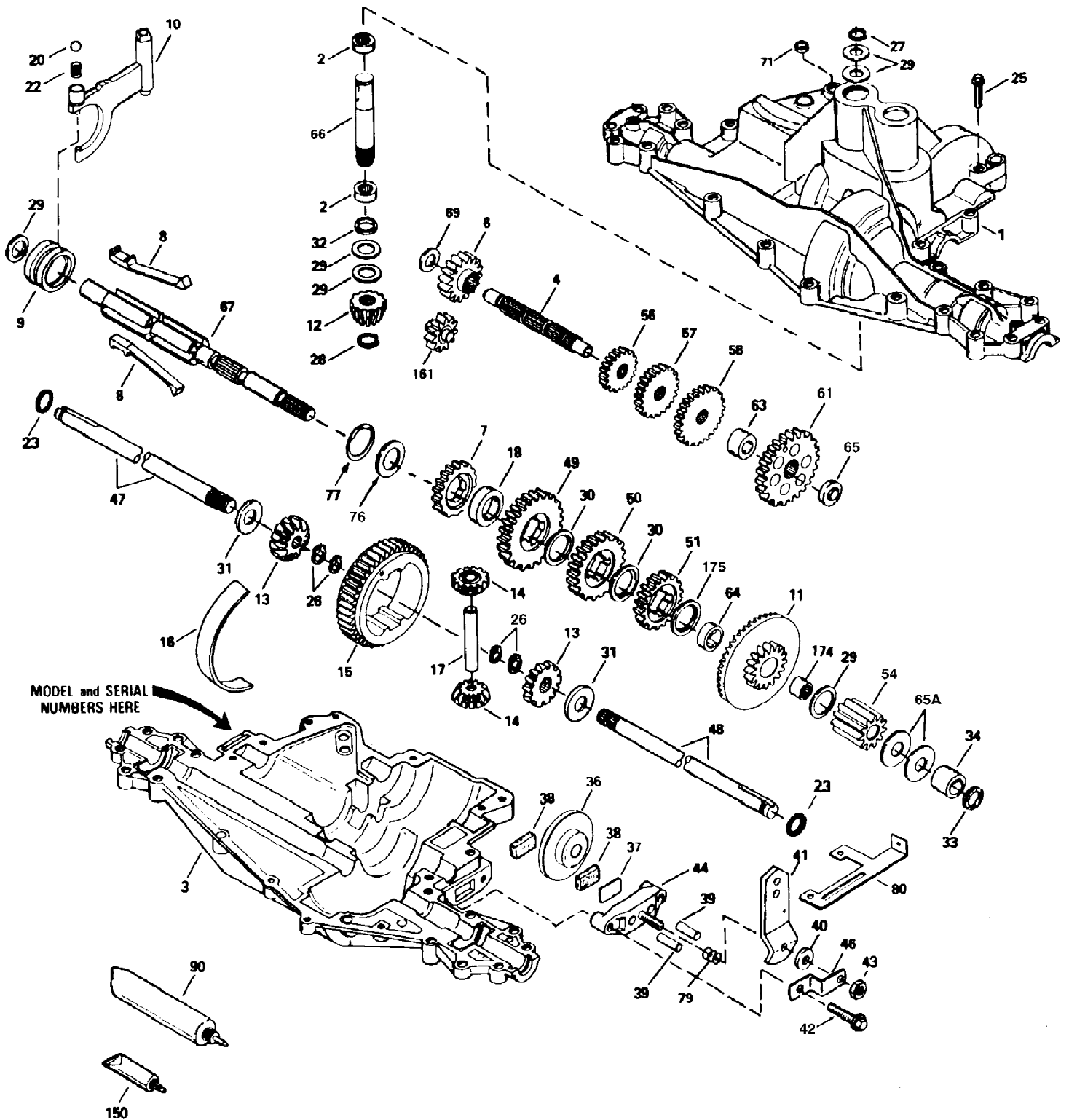
Ref #	Part Number	Qty	S/P/F	Description
2	1185574	4	S	Ball Bearing
3	1746869	2	/P	Spacer
4	1765092	2	S	Mower Spindle
6	1765029	2	/P	Blade Spacer
7	1766061	1	S	Right Spindle Shaft
8	1768169	1	S	Left Spindle Shaft (long)
9	1765196	2	/P	Screw, 7/16-14 x 1
10	1765197	2	/P	Belleville Washer
11	1910917	2	/P	Blade, 33" Mulching
12	1185649	2	/P	Retaining Ring
13	1771081	2	/P	Flat Head Screw, #10-24 x 1-1/4
14	1771083	1	/P	Brake Pad
15	1185985	2	S	Nylon Locknut, #10-24 Use Loctite 242
17	1773600	1	/P	Toothed Drive Belt
18	1768435	1		Caution Decal
19	1774220	2	S	Cogged Pulley, 56T
20	1769362	1	S	Drive Pulley
21	1736484	2	S	Flat Washer, 7/16
22	1100244	2	S	Lock Washer, 7/16
23	1773523	8	S	Flange Lock Screw, 5/16-18 x 1
24	1764140	2	/P	Flange Bushing
25	1701055	2	/P	Flat Washer
26	1762794	1	S	Idler Pulley
27	1100062	2	/P	Hex Head Capscrew, 3/8-16 x 2-1/2
28	1911054	1		Adapter Trim
29	1770803	1	/P	Idler Arm
30	1186059	2		Pop Rivet
31	1911021001	1	/P	Belt Tension Adjustment Bracket
32	1749911	1	/P	Idler Pulley
33	1766787	2	/P	Special Thrust Washer
34	1720717	1	/P	Belt Guide
35	1756595	1	/P	Extension Spring
36	1186231	2	S	Nut, 3/8-16
37	1732499	1	/P	Locknut, 5/16-18
38	1723996	1	/P	Pulley Spacer
39	1739687	1	/P	Danger Decal
40	1768818	7	S	Flat Washer, 3/8 x 3/4
41	1100243	1	S	Lock Washer, 3/8
42	1701447	2	/P	Flat Washer
43	1764135	1	/P	Belt Guide
44	1769397	2	/P	Screw, 7/16-14 x 1-1/4 Use Loctite 242
46	1113527	1	S	Retaining Ring
47	1768451	1	S	Warning Decal
48	1185715	1	/P	Pyramid Washer, 3/8
50	1771925	8	S	Triplask Screw, 1/4-20 x 5/8
51	1771922001	2	/P	Sprocket Plate
52	1773642	1	S	Mulcher Cover, Fold-Up Style (Incl. Ref. 28 and 30)
53	1727342	2	S	Cap
54	1910931	1	S	Discharge Chute
55	1910948001	2	S	Weldment Doubler
56	1910951001	1	/P	Bracket, Chute Hinge
57	1910971	1	/P	Spring, Discharge Chute

34356 8HP STD 33" Cut (S/N 343561100101-343561199999)  
Mower Deck Assembly

Page 12 of 15

Ref #	Part Number	Qty	S/P/F	Description
58	1910972	1	/P	Pin, Discharge Chute
59	1740496	8	S	Screw, Thread-Forming
60	90077	1		Bolt, Carriage, 3/8-18 x 3/4
158	1769767	1	/P	V-Belt
318	1773595	1		Mulching Blade Kit (Incl. Refs. 9 ,10 and 11)
319	1773587	1		Mower Deck Assembly (Incl. Refs. 18, 39 & 47)
320	1769048	2	S	Mower Spindle Assembly (Incl. Refs. 2, 3, 4 & 5)
	97092	1	S	Loctite 242, 0.02 oz. Tube Item not included with unit; order separately.
	1735222	1	/P	Black Spray Paint Can, 13 oz Item not included with unit; order separately.

34356 8HP STD 33" Cut (S/N 343561100101-343561199999)  
Peerless Transaxle



34356 8HP STD 33" Cut (S/N 343561100101-343561199999)  
Peerless Transaxle

Page 14 of 15

Ref #	Part Number	Qty	S/P/F	Description
1	772113	1		Transaxle Cover
2	780086	2		Needle Bearing
3	770110	1		Transaxle Case
4	776300	1		Countershaft
6	778281	1		Spur Gear (16 teeth)
7	778122A	1		Spur Gear (22 teeth)
8	792160	4		Shift Key
9	784373	1		Shift Collar
10	784365	1		Shift Rod & Fork
11	778261	1		Bevel Gear & Bearing (Incl. 174)
12	778262	1		Bevel Pinion (14 teeth)
13	778221	2		Bevel Gear (16 teeth)
14	778068	2		Differential Pinion
15	778260	1		Ring Gear
16	786150	1		Bearing Strip
17	786139	1		Drive Pin
18	786147	1		Neutral Spacer
20	792077	1		Ball, 5/16" dia.
22	792079	1	S	Spring
23	788061	2	S	Seal Ring
25	792073	17		Screw, 1/4-20 x 1-1/4"
26	792125	4		Retaining Ring
27	792035	1	S	Retaining Ring
28	788040	1		Retaining Ring
29	780072	6	S	Washer
30	780108	2	S	Washer
31	780001	2		Washer
32	792001	1	S	"O" Ring
33	788076	1		"O" Ring
34	780159	1		Bushing
36	790071	1		Brake Disk
37	790007	1	S	Brake Pad Plate
38	799021	2		Brake Pad (pkg. of 2)
39	786026	2	S	Dowel Pin
40	792076A	1		Washer
41	790045	1		Brake Lever
42	792073	2		Screw, 1/4-20 x 1-1/4"
43	792075	1		Locknut, 5/16-24
44	790025	1		Brake Pad Holder
46	786086	1		Brake Lever Bracket
47	774747	1		Axle (16-1/4" long)
48	774888	1		Axle (11" long)
49	778123A	1	S	Spur Gear (25 teeth)
50	778122A	1		Spur Gear (22 teeth)
51	778273	1		Spur Gear (19 teeth)
54	778263	1		Spur Gear (11 teeth)
56	778127A	1		Spur Gear (25 teeth)
57	778128A	1		Spur Gear (28 teeth)
58	778129A	1		Spur Gear (30 teeth)
61	778265	1		Spur Gear (34 teeth)
63	786158	1		Spacer
64	786072	1		Output Shaft Spacer
65	780162	1		Washer

34356 8HP STD 33" Cut (S/N 343561100101-343561199999)  
Peerless Transaxle

Page 15 of 15

Ref #	Part Number	Qty	S/P/F	Description
65A	780160	2		Washer
66	776299	1		Input Shaft
67	776352	1		Shifter & Brake Shaft
69	780161	1		Washer
71	788069	1		Square Cut Ring
76	780090	1		Washer
77	788078A	1		Inverted Retaining Ring (pkg. of 2)
79	792144	1		Spring
80	790063A	1		Brake Bracket
90	788067B	1		Grease Specification
150	510334	1	S	Gasket Eliminator (Loctite #515)
161	776302	1		Reverse Idler
174	780085	1		Needle Bearing
175	780145	1		Washer